

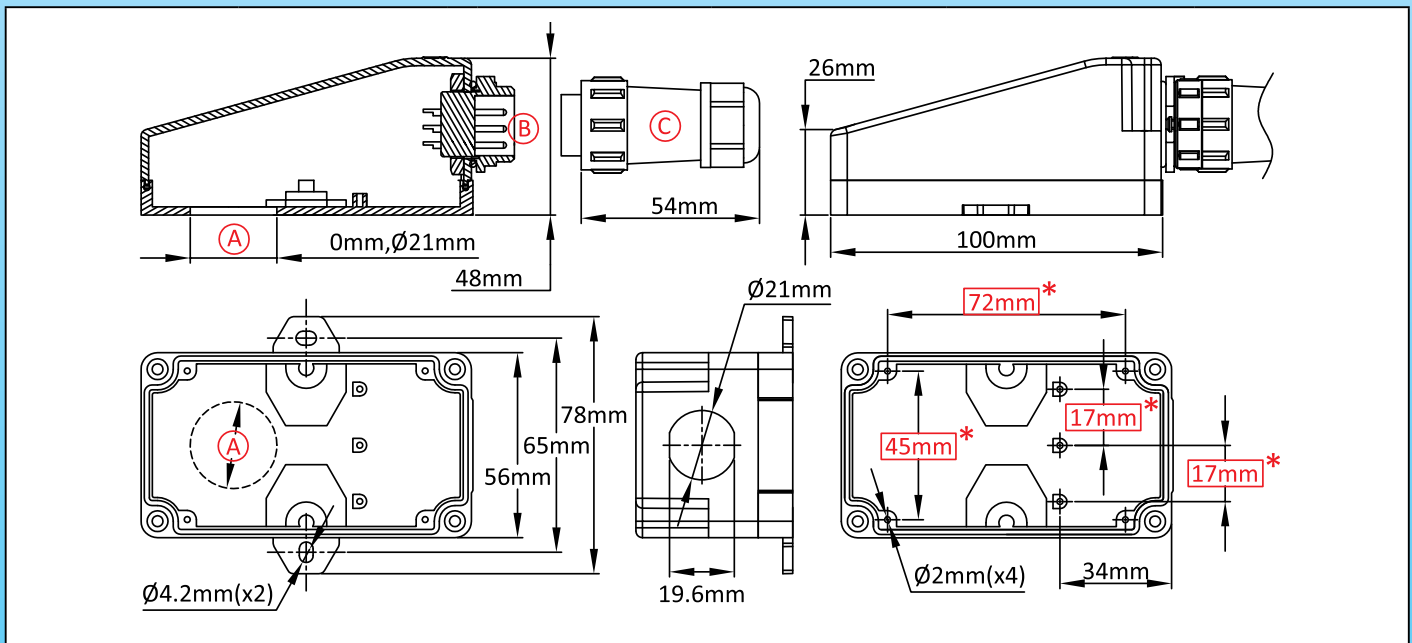
# Miniature enclosure for temperature sensor, level sensor, electronic printed circuit or cartridge heater



Because of permanent improvement of our products, drawings, descriptions, features used on these data sheets are for guidance only and can be modified without prior advice

Size(mm)	Volume(cm <sup>3</sup> )	Material	Protection grade		Model
100 x 56 x 48	216	PA66	IP69K	IK10	<b>Y3A4</b>

Suitable for
<input checked="" type="checkbox"/> Temperature sensor
<input type="checkbox"/> Immersion heater
<input type="checkbox"/> Finned heater
<input type="checkbox"/> Thermostat
<input checked="" type="checkbox"/> Level sensor
<input checked="" type="checkbox"/> Electronic board



## Main references

(A) (mm)	(B)	(C)	Without connection block
0	x	x	Y3A400001210000T
0	√	x	Y3A400001E80000T
0	√	√	Y3A400001E90000T
8	x	x	Y3A408001210000T
8	√	x	Y3A408001E80000T
8	√	√	Y3A408001E90000T
21	x	x	Y3A421001210000T
21	√	x	Y3A421001E80000T
21	√	√	Y3A421001E90000T

Others drilling diameters on request.

Red dimensions inside rectangular frames on drawings are used for accessories assembly.